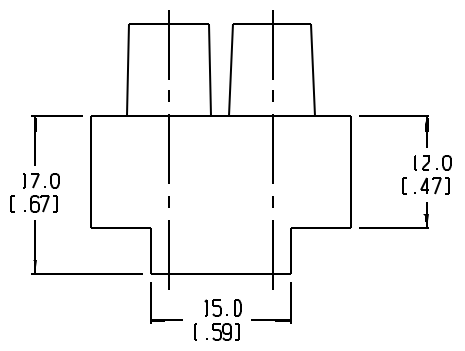
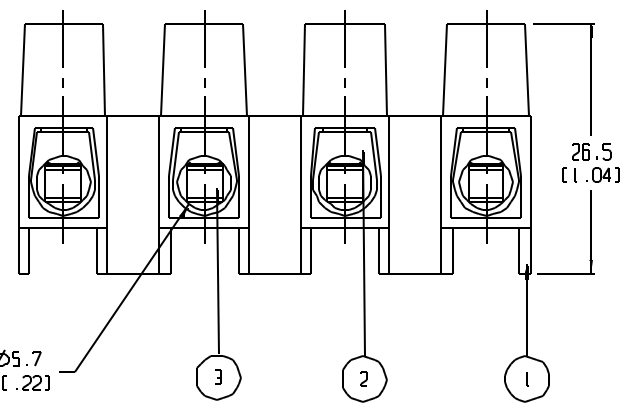
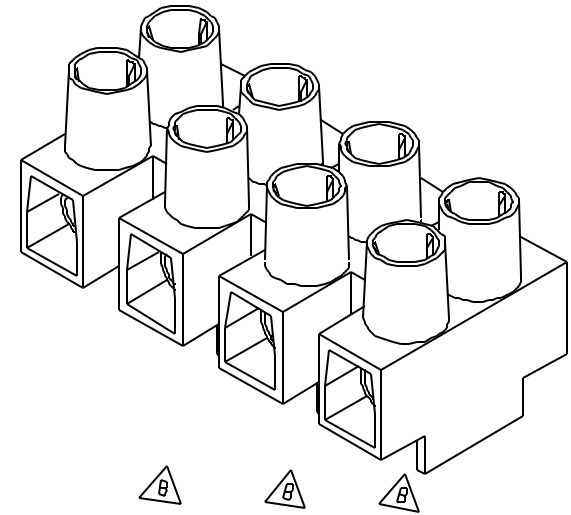


- NOTES:
1. MATERIAL: SEE TABLE
 2. FINISHES: SEE TABLE
 3. PRODUCT SPECIFICATION: NOT REQUIRED
 4. PACKAGING: NOT REQUIRED
 5. MATES WITH: NONE
 6. *XX* REFERS TO THE NUMBER OF CIRCUITS



NUMBER OF CIRCUITS	"A" DIM.	"B" DIM.	"C" DIM.	MATERIAL NUMBER
01	10.0 (.39)	N/A	N/A	391001501
02	25.0 (.98)	15.0 (.591)	N/A	391001502
03	40.0 (1.57)	30.0 (1.181)	15.0 (.591)	391001503
04	55.0 (2.17)	45.0 (1.772)	30.0 (1.181)	391001504
05	70.0 (2.76)	60.0 (2.362)	45.0 (1.772)	391001505
06	85.0 (3.35)	75.0 (2.953)	60.0 (2.362)	391001506
07	100.0 (3.94)	90.0 (3.543)	75.0 (2.953)	391001507
08	115.0 (4.53)	105.0 (4.134)	90.0 (3.543)	391001508
09	130.0 (5.12)	120.0 (4.724)	105.0 (4.134)	391001509
10	145.0 (5.71)	135.0 (5.315)	120.0 (4.724)	391001510
11	160.0 (6.30)	150.0 (5.906)	135.0 (5.315)	391001511
12	175.0 (6.89)	165.0 (6.496)	150.0 (5.906)	391001512

ITEM	QTY.	DESCRIPTION	MATERIAL	FINISH
4	XX*2	CLAMPING SCREWS, M5	STEEL	ZINC
3	XX	WIRE PROTECTOR	BRASS	NICKEL
2	XX	TERMINAL	BRASS	NICKEL
1	1	INSULATOR	NYLON 6	CLEAR

ECN: 4098
 DRW: RK 4-20-05
 CHK:
 APP:
 B

QUALITY SYMBOLS:
 MAJOR =
 CRITICAL =
 SPC =
 GENERAL TOLERANCES: (UNLESS SPECIFIED)
 4 PLACES ±.0015
 3 PLACES ±.008
 2 PLACES ±.13
 1 PLACE ±.3
 ANGULAR: ±2°
 DRAFT WHERE APPLICABLE MUST REMAIN WITHIN DIMENSIONS

SCALE: 2:1
 DESIGN UNITS: mm INCH
 DRAWN BY & DATE: J. FARNER 09-17-04
 CHECKED BY & DATE: R. KEMP 09-17-04
 APPROVED BY & DATE: GHR 09-17-04
 CAD FILENAME: 39100-15XX

PROJECT NO.: - - -
 DIMENSIONS: mm INCH mm ONLY
 SHEET: 1 REV: -
 REVISE ON CAD ONLY
 TITLE: 15 MM HIGH PROFILE WITH WIRE PROTECTORS
 MOLEX INCORPORATED
 MATERIAL NO.: SEE CHART
 DRAWING NO.: SD-39100-007
 SHEET NO.: 1 OF 1
 SIZE: B
 THIS DRAWING CONTAINS INFORMATION THAT IS PROPRIETARY TO MOLEX (INCORPORATED AND SHOULD NOT BE USED WITHOUT WRITTEN PERMISSION.)